

ORDERING CODES

0 —————
 block with common check valve
 2 —————
 number of spools
 P80 —————
 directional control valve type ...
 R —————
 inlet high pressure - right
 1 —————
 way of distribution / parallel or .../
 A —————
 first spool distribution type
 1 —————
 spool control / detend and etc./
 A —————
 second spool distribution type
 1 —————
 spool control / detend and etc./
 G —————
 ports / treads /
 KZ1 —————
 general operation feature
 T —————
 with "teton"
 H —————
 operation feature .../
 E —————
 with electric switch
 C2 —————
 high pressure carry over
 11 —————
 connection ports in use

Table / Tablo 1

	A	B	C	D	P1	P2	T1	T2
P80	65	79	107	65	*	*	-	-
2P80	80	94	160	103	*	*	*	*
3P80	80	94	198	141	*	*	*	*
4P80	80	94	242	179	*	*	*	*
5P80	80	94	280	217	*	*	*	*
6P80	80	94	318	255	*	*	*	*

Table / Tablo 3

code kod	Number of spools
	1
2	2
3	3
4	4
5	5
6	6

Table / Tablo 2

Spool control	E
1, 4, 5, 6, 7, 8, 9, 10, 11,	40
2, 3, 12, 14	72
13	44

Table / Tablo 4

code kod	way of distribution
1	parallel
2	tandem(series parallel)

Table / Tablo 5

code kod	spool type
A	
B	
C	
D	
E	
F	
G	
H	
M	
N	
O	
P	
Q	
R	
S	
T	
L	

Table / Tablo 6

code kod	spool control
1	1 0 2
2	1 0 2
3	1 0 2
4	0 2
5	1 0
6	1 2
7	1 2
8	1 0 2
9	1 0
10	0 2
11	1 2
12	1 0 2 3
13	1 0 2 3

Table / Tablo 7

code kod	incorporated microswitch	
E		microswitch type Omron-V 165 I C5

Table / Tablo 8

code kod	operation feature / operasyon özelliği	
P		on-off pneumatic control; 5-10 bar; ports G1/4
H		on-off hydraulic control; pn = 5-20 bar; ports G1/4

Table / Tablo 9

code kod	Ports (threads)			
	P	A ; B	T	N
M	M22x1.5	M22x1.5	M26x1.5	M26x1.5
G	G1/2	G1/2	G3/4	G3/4
S	7/8-14UNF	7/8-14UNF	1 1/16-14UNF	1 1/16-14UNF

Table / Tablo 10

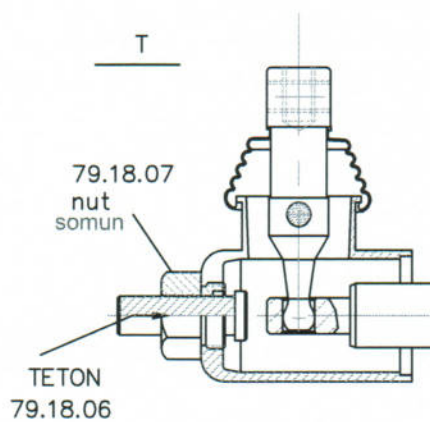
code kod	feature	code kod	feature	code kod	feature
KZ		KY		KI	
KZ1		KY1		KI1	
KZ0		KY0		KI0	
KZ01		KY01		KI01	
-	without hand control				

Table / Tablo 11

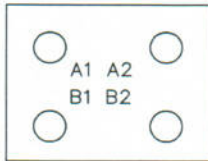
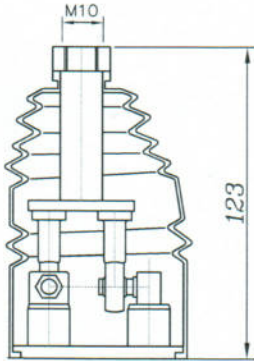
code kod	feature	feature
C	Closed center	
C1	Part for power beyond sleeve (carry over)	$\phi 14$ mm M22x1.5
C2	Part for power beyond sleeve (carry over)	G 1/2 M22x1.5
-	Without part for pressure carry over	
X	Power beyond ever to tank	

Table / Tablo 12

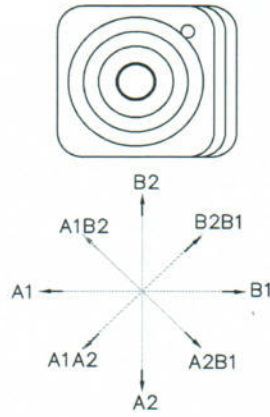
code kod	Used connection ports
11	P1 ; T1
12	P1 ; T2
21	P2 ; T1
22	P2 ; T2



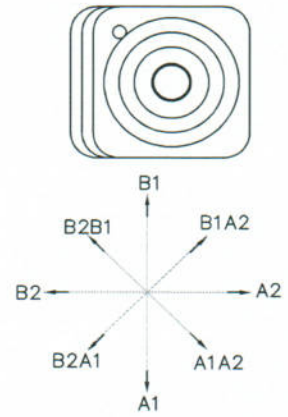
JOYSTICK“+”
 his control gives the possibility to
 operate, at the same time two spool
 with a “+” movement



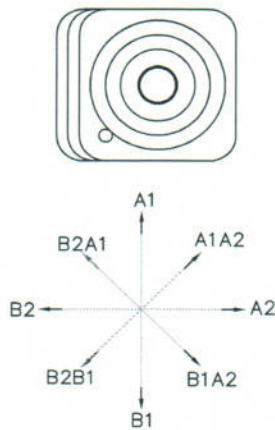
standart versiyon 1



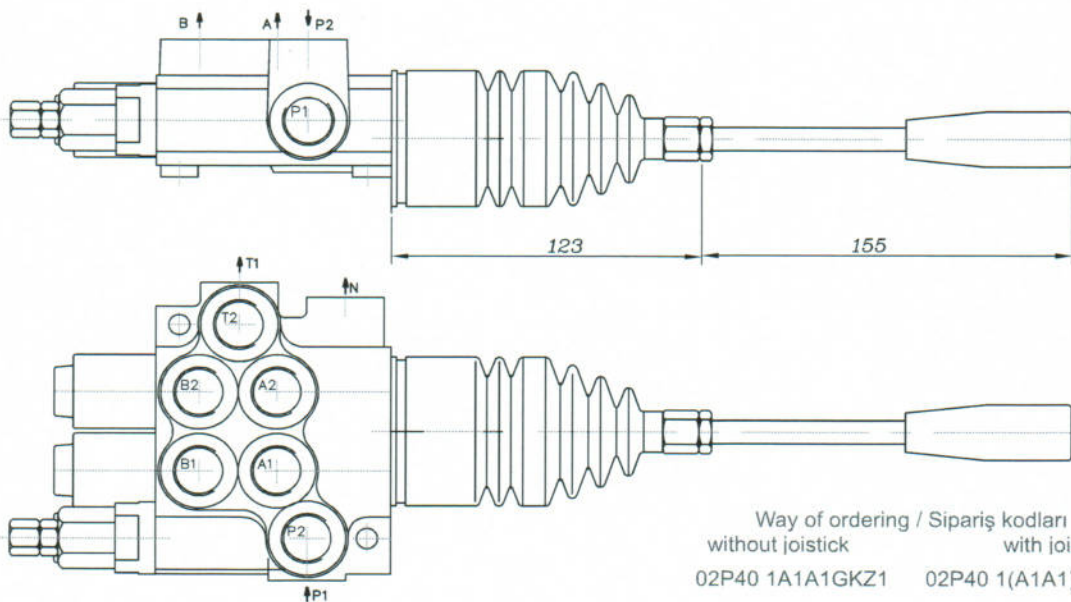
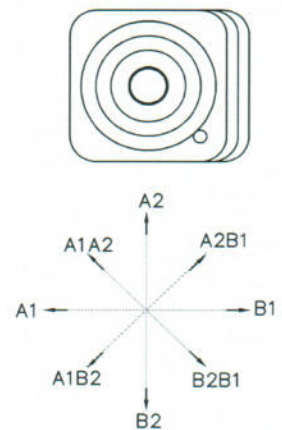
standart versiyon 2



standart versiyon 3

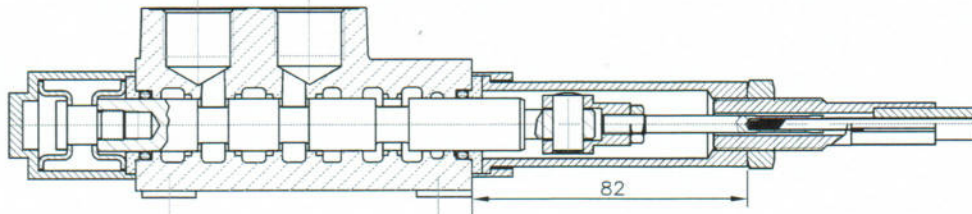


standart versiyon 4

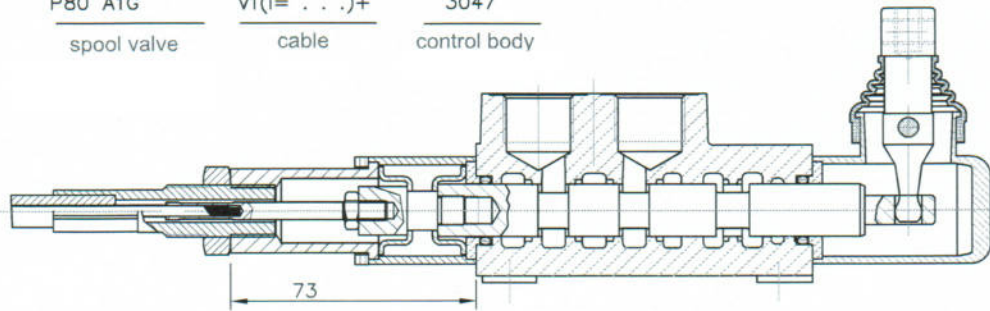


Way of ordering / Sipariş kodları
 without joystick with joystick
 02P40 1A1A1GKZ1 02P40 1(A1A1)(js+3)G

REMOTE CONTROLS



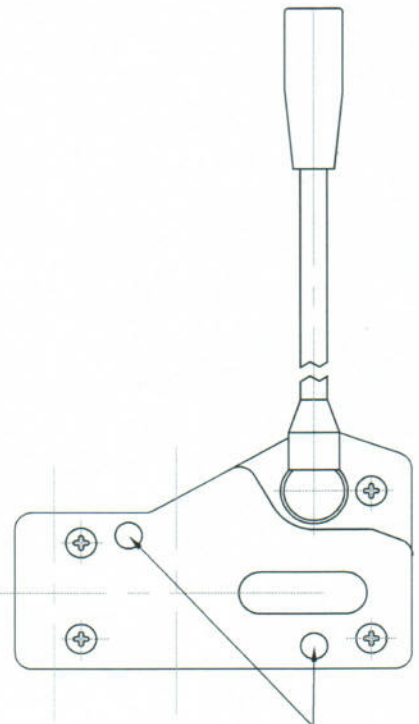
P80 A1G V1(I= . . .)+ 3047
 spool valve cable control body



P80 A1G V2KZ1(I= . . .)+ 3047
 spool valve cable control body

Technical specifications			
	3047	3076	3077
Stroke / Strok	13+13 mm	13+13 mm	13+13 mm
Max. load / Mak. yükleme	45 kg	45 kg	45 kg
Level ratio / Düzey oranı	10:1	10:1	10:1
Lock in neutral/Serbest konumda kilitli	No	No	Yes
Antireverse lock / Emniyet kilidi	No	Yes	No
Body colour / Gövde rengi	Black	Black	Black
Cables type / Kablo tipi	Heavy Duty	Heavy Duty	Heavy Duty
Operating temperature / Kullanım Isısı	-40/+80C	-40/+80C	-40/+80C

High solidity controls for easy mounting on every type of distributor.
 They can bymounted stand alone or packed together.
 They use push-pull heavy duty cables that provide a positive smooth
 operating lever and are manufactured in a three differents models to meet
 different needs of Clients.



2 holes to mounting
 stackable