

**ORDERING CODES**

Table / Tablo 3 0 block with common check valve  
 number of spools 2  
 directional control valve type... P40  
 inlet high pressure - right R  
 way of distribution / parallel or.../ 1  
 Table / Tablo 4  
 first spool distribution type A  
 Table / Tablo 5  
 spool control / dedant and etc./ 1  
 Table / Tablo 6  
 second spool distribution type A  
 spool control / dedant and etc./ 1  
 ports / treads / G  
 Table / Tablo 9  
 general operation feature KZ1  
 Table / Tablo 10  
 with "teton" T  
 operation feature / pneumatic,.../ H  
 Table / Tablo 8  
 with electric switch E  
 Table / Tablo 7  
 high pressure carry over C2  
 Table / Tablo 11  
 connection ports in use 11  
 Table / Tablo 12

Table / Tablo 1

	A	B	C	D	P1	P2	T1	T2
P40	60	80	85	60	+	-	+	-
02P40	60	80	129	97	+	+	+	+
03P40	60	80	164	132	+	+	+	+
04P40	60	80	199	167	+	+	+	+
05P40	60	80	234	202	+	+	+	+
06P40	60	80	269	237	+	+	+	+
07P40	60	80	304	272	+	+	+	+
2P40	60	80	129	97	+	+	+	+
3P40	60	80	164	132	+	+	+	+
4P40	60	80	199	167	+	+	+	+

Table / Tablo 2

spool control	E	F
1; 4; 5; 6; 7; 8; 9; 10; 11;	40	193
2; 3;	72	225
16	+	+

Table / Tablo 3

code	Number of spools
	1
02, 2	2
03, 3	3

Table / Tablo 4

code	way of distribution
1	parallel
2	tandem(series parallel)

Table / Tablo 5

code kod	spool type
A	
B	
C	
D	
E	
F	
G	
H	
M	
N	
O	
P	
Q	
R	
S	
T	
* K	
** L	

Table / Tablo 6

code kod	spool control
1	
2	
3	
4	
5	
6	
7	
8	
9	
10	
11	
* 13	
* 16	
** 13R	
** 12	

Table / Tablo 7

code kod	incorporated microswitch	
E		microswitch type Omron-V 165 I C5

Table / Tablo 8

code kod	operation feature / operasyon özelliği	
P		on-off pneumatic control; 5-10 bar; ports G1/4
H		on-off hydraulic control; pn = 5-20 bar; ports G1/4

Table / Tablo 9

code kod	Ports (threads)			
	P	A ; B	T	N
M	M22x1.5	M18x1.5	M22x1.5	M22x1.5
G	G1/2	G3/8	G1/2	G1/2
S	7/8-14UNF	3/4-16UNF	7/8-14UNF	7/8-14UNF

Table / Tablo 10

code kod	feature	code kod	feature	code kod	feature
KZ		KY		KI	
KZ1		KY1		KI1	
KZ0		KY0		KI0	
KZ01		KY01		KI01	
-	without hand control				

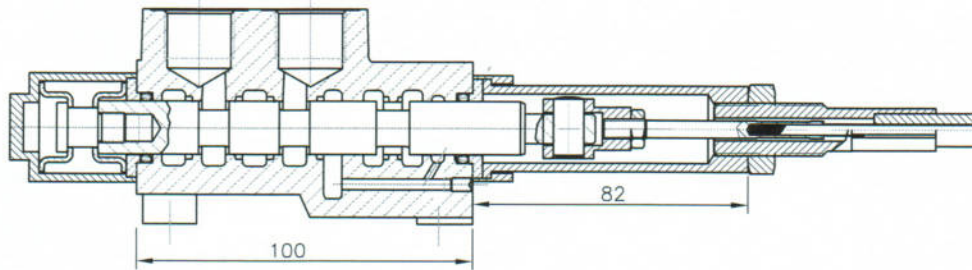
Table / Tablo 11

code kod		
C	Closed center	
C1	Part for power beyond sleeve (carry over)	M22x1.5
C2	Part for power beyond sleeve (carry over)	#14 mm M22x1.5
-	Without part for pressure carry over	G 1/2
X	Power beyond ever to tank	

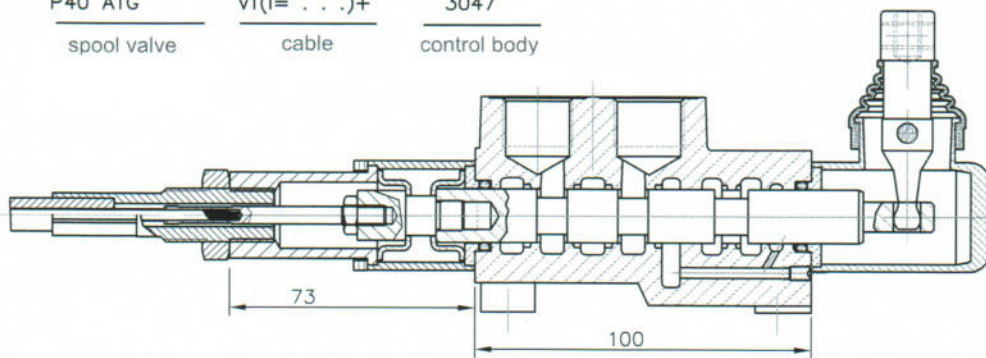
Table / Tablo 12

code kod	Used connection ports	
11	P1 ; T1	
12	P1 ; T2	
21	P2 ; T1	
22	P2 ; T2	

### REMOTE CONTROLS

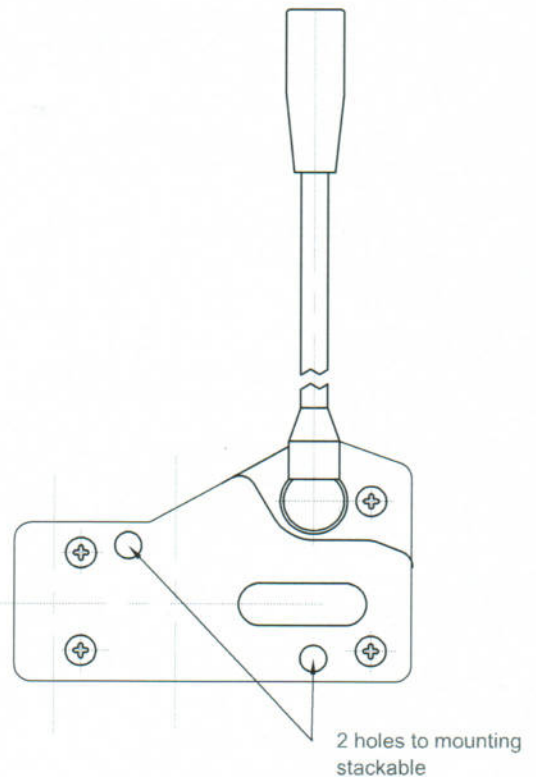


P40 A1G      V1(I= . . .)+      3047  
 spool valve      cable      control body



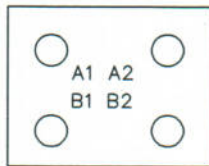
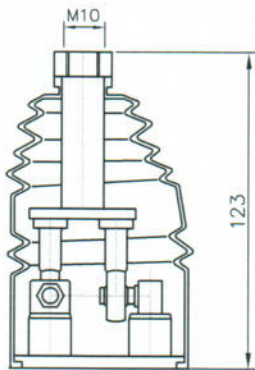
P40 A1G      V2KZ1(I= . . .)+      3047  
 spool valve      cable      control body

Technical specifications			
	3047	3076	3077
Stroke	13+13 mm	13+13 mm	13+13 mm
Max. load	45 kg	45 kg	45 kg
Level ratio	10:1	10:1	10:1
Lock in neutral	No	No	Yes
Antireverse lock	No	Yes	No
Body colour	Black	Black	Black
Cables type	Heavy Duty	Heavy Duty	Heavy Duty
Operating temperature	-40/+80C	-40/+80C	-40/+80C

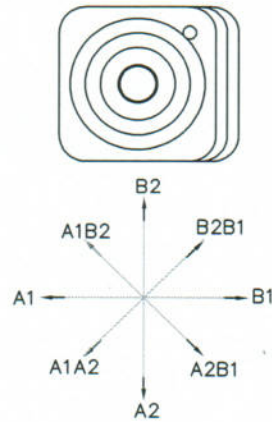


High solidity controls for easy mounting on every type of distributor.  
 They can be mounted stand alone or packed together.  
 They use push-pull heavy duty cables that provide a positive smooth  
 operating lever and are manufactured in three different models to meet  
 different needs of Clients.

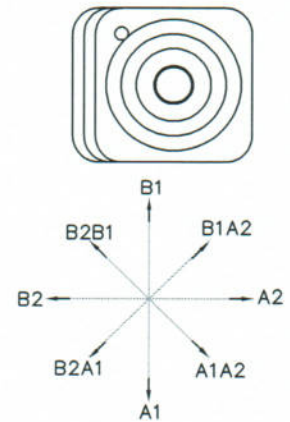
**JOYSTICK "++"**  
 his control gives the possibility to operate, at the same time two spool with a "++" movement



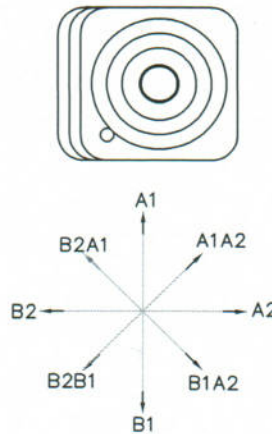
standart versiyon 1



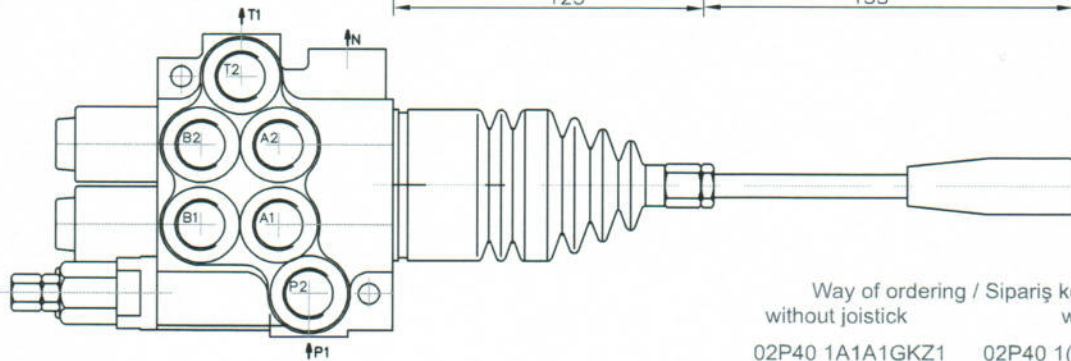
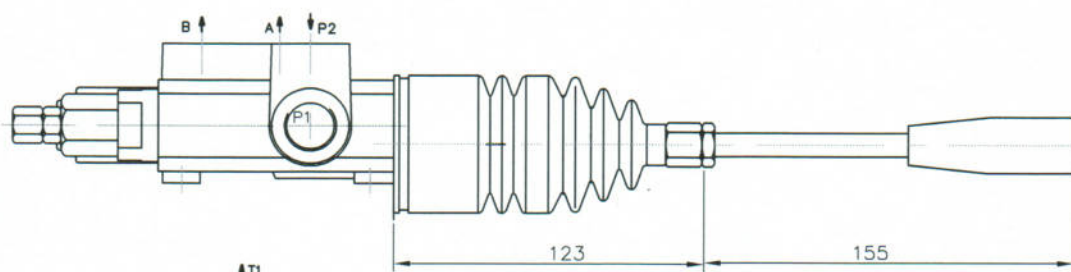
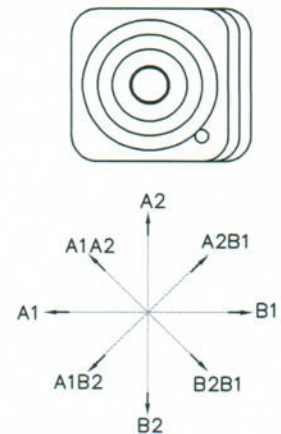
standart versiyon 2



standart versiyon 3



standart versiyon 4



Way of ordering / Sipariş kodları  
 without joystick                      with joystick  
 02P40 1A1A1GKZ1    02P40 1(A1A1)(js+3)G