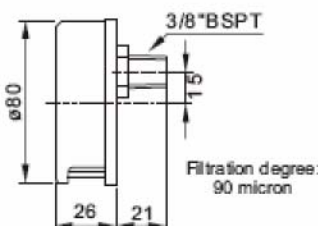
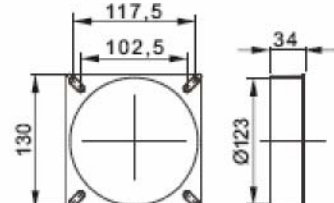
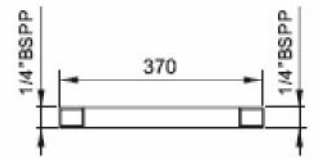
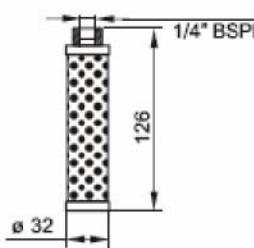
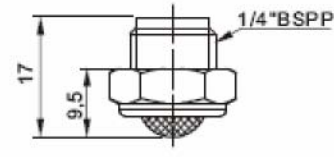
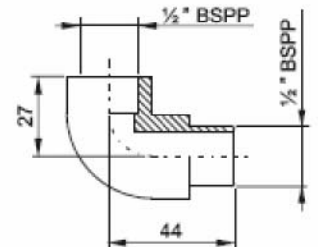
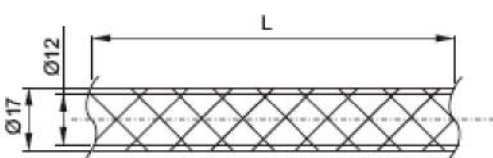
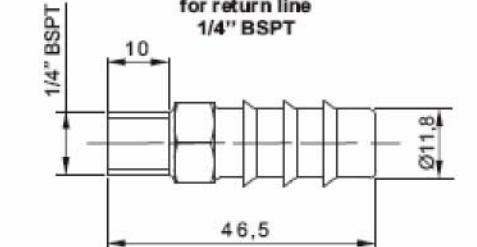


Zubehör

Accessories

<p>Inlet strainers Screened eccentric type</p>  <p>3/8"BSPT ø80 16 26 21 Filtration degree: 90 micron</p> <p>Recommended for 1,5 l tanks horizontal mounting Weight: 0,13 Kg</p>	<p>Steel tank adapter</p>  <p>117,5 102,5 130 34 Ø123</p> <p>Unpainted, to be welded on custom made tanks Weight: 0,21 Kg</p>	<p>1/4" return/suction pipe</p>  <p>1/4"BSPP 370 1/4"BSPP</p> <p>Recommended as suction pipe for PMC02 hand pumps and as return pipe with C34 20001 return filter.</p>
<p>Spare part code</p> <p>C34100001</p>	<p>Spare part code</p> <p>F80000001</p>	<p>Spare part code</p> <p>PP01370</p>
<p>Return filter</p>  <p>1/4" BSPP 126 ø 32</p> <p>Suitable for all tanks over 3l Weight: 0,13 Kg Filtration degree: 90 micron</p>	<p>Relief valve return filter To be mounted in cavity Tr</p>  <p>1/4"BSPP 17 9,5</p> <p>It reduces foam and noise when relief valve is laminating. Recommended for all vertical mounting tanks.</p>	<p>90° adapter for vertical tanks</p>  <p>1/2" BSPP 27 44 1/2" BSPP</p>
<p>Spare part code</p> <p>C34200001</p>	<p>Spare part code</p> <p>SFEP14N</p>	<p>Spare part code</p> <p>E60513004</p>
<p>Flexible plastic pipe</p>  <p>Ø17 L Ø12</p> <p>Recommended as standard return pipe. To be fixed with TR01-12 and cut at proper length. To be ordered in meters</p>	<p>Flexible plastic pipe holder for return line 1/4" BSPT</p>  <p>1/4" BSPT 10 46,5 Ø11,8</p>	
<p>Spare part code</p> <p>SF12</p>	<p>Spare part code</p> <p>TR0112</p>	