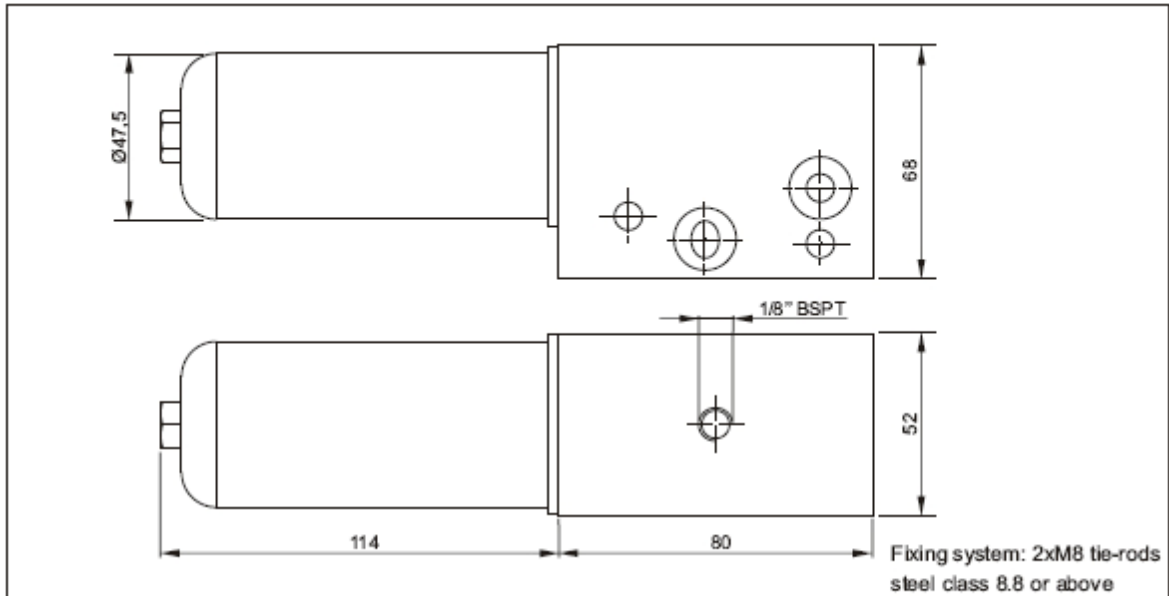


Zwischenplattengehäuse mit Rücklauffilter und Zubehör

Return line filter modular manifold

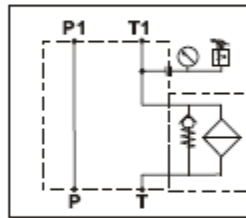


Spare part code

E60403020

Modular manifold with return filter on T

Hydraulic scheme



Note: code does not include the MIR40 pressure gauge or F4 pressure switch

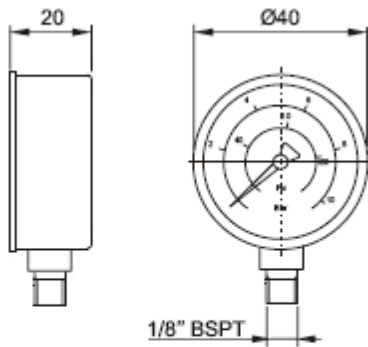
Main features

Opening valve pressure	1±0,2 bar
Max flow	20 l/min
Filtration setting	15 µ
Oil temperature	-30 + + 80 °C
Weight	0,87 kg

Note: Recommended tightening torque for M8 bolts: 16 Nm

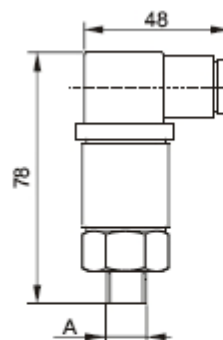
Options

Pressure gauge for return filter manifold



Weight: 0,1 Kg

Pressure switch



Setting range	0,2 + 2,5 bar
Protection degree	IP 65
Hysteresis	10 + 15 %
Weight	0,05 Kg
Max load	0,5 A at 250 VAC
Electric switch	NO/NC

	A
F4R0M3	1/8\" B SPP

Spare part code

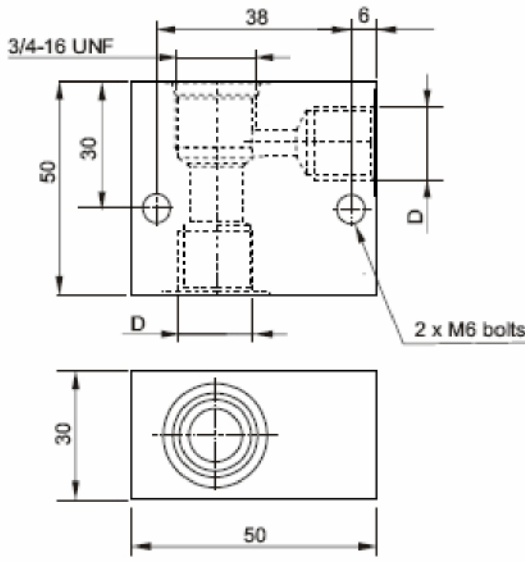
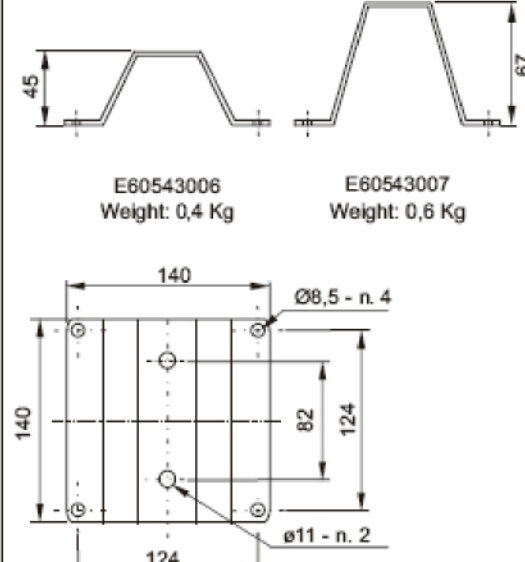
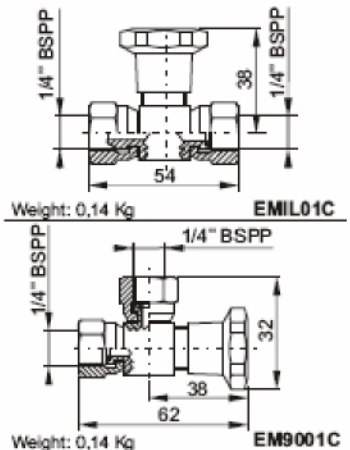
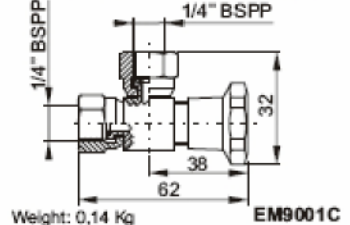
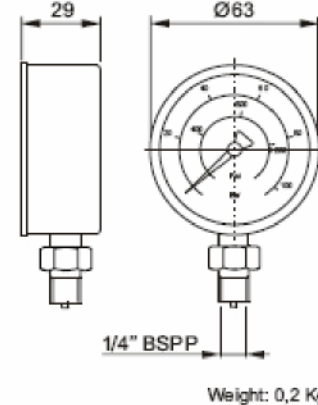
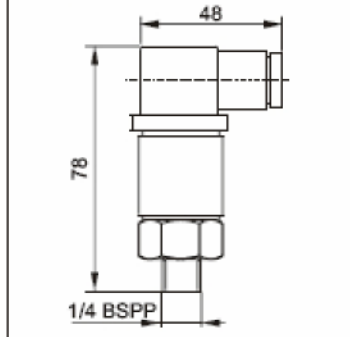
MIR4010

Spare part code

F4R0M3

Zubehör

Accessories

<p style="text-align: center;">In line mounting 3/4-16 UNF manifolds</p>  <table border="1" style="margin-left: auto; margin-right: auto; border-collapse: collapse;"> <thead> <tr> <th></th> <th>D</th> <th>Weight</th> </tr> </thead> <tbody> <tr> <td>BFCSAE0802</td> <td>3/8" BSPP</td> <td>0,16 Kg</td> </tr> <tr> <td>BFCSAE0801</td> <td>1/4" BSPP</td> <td>0,48 Kg</td> </tr> </tbody> </table> <p style="text-align: center;">Spare part codes</p> <table style="width: 100%; border-collapse: collapse;"> <tr> <td style="width: 50%; border: 1px solid black; text-align: center;">BFCSAE0802</td> <td style="width: 50%; border: 1px solid black; text-align: center;">BFCSAE0801</td> </tr> </table>		D	Weight	BFCSAE0802	3/8" BSPP	0,16 Kg	BFCSAE0801	1/4" BSPP	0,48 Kg	BFCSAE0802	BFCSAE0801	<p style="text-align: center;">Foot mounting support</p>  <table style="width: 100%; border-collapse: collapse;"> <tr> <td style="width: 50%; text-align: center;">E60543006 Weight: 0,4 Kg</td> <td style="width: 50%; text-align: center;">E60543007 Weight: 0,6 Kg</td> </tr> </table> <p style="font-size: small;">E60543006: suitable for all tanks except E60303012 E60543007: recommended for E60303011, E60303012 tanks and with frame 90 AC integral motors.</p> <p style="text-align: center;">Spare part codes</p> <table style="width: 100%; border-collapse: collapse;"> <tr> <td style="width: 50%; border: 1px solid black; text-align: center;">E60543006</td> <td style="width: 50%; border: 1px solid black; text-align: center;">E60543007</td> </tr> </table>	E60543006 Weight: 0,4 Kg	E60543007 Weight: 0,6 Kg	E60543006	E60543007
	D	Weight														
BFCSAE0802	3/8" BSPP	0,16 Kg														
BFCSAE0801	1/4" BSPP	0,48 Kg														
BFCSAE0802	BFCSAE0801															
E60543006 Weight: 0,4 Kg	E60543007 Weight: 0,6 Kg															
E60543006	E60543007															
<p style="text-align: center;">Gauge isolator F-F Max working pressure: 350 bar</p>  <p style="text-align: center;">EMIL01C Weight: 0,14 Kg</p>  <p style="text-align: center;">EM9001C Weight: 0,14 Kg</p> <p style="text-align: center;">Spare part code</p> <p style="text-align: center;">EM9001C / EMIL01C</p>	<p style="text-align: center;">Pressure gauge</p>  <p style="text-align: center;">Weight: 0,2 Kg</p> <p style="text-align: center;">Spare part code</p> <p style="text-align: center;">MIR63*** ***: pressure max in bar (060, 100, 160, 250, 315 bar)</p>	<p style="text-align: center;">Pressure switch</p> <table border="1" style="width: 100%; border-collapse: collapse; font-size: x-small;"> <tr> <td>Protection degree</td> <td>IP 65</td> </tr> <tr> <td>Hysteresis</td> <td>10 + 15 %</td> </tr> <tr> <td>Weight</td> <td>0,05 Kg</td> </tr> <tr> <td>Max load</td> <td>0,5 A at 250 VAC</td> </tr> <tr> <td>Electric switch</td> <td>NO/NC</td> </tr> </table>  <p style="text-align: center;">Spare part code</p> <p style="text-align: center;">F401*** ***: pressure max in bar (050, 100, 200, 400 bar)</p>	Protection degree	IP 65	Hysteresis	10 + 15 %	Weight	0,05 Kg	Max load	0,5 A at 250 VAC	Electric switch	NO/NC				
Protection degree	IP 65															
Hysteresis	10 + 15 %															
Weight	0,05 Kg															
Max load	0,5 A at 250 VAC															
Electric switch	NO/NC															

zurück