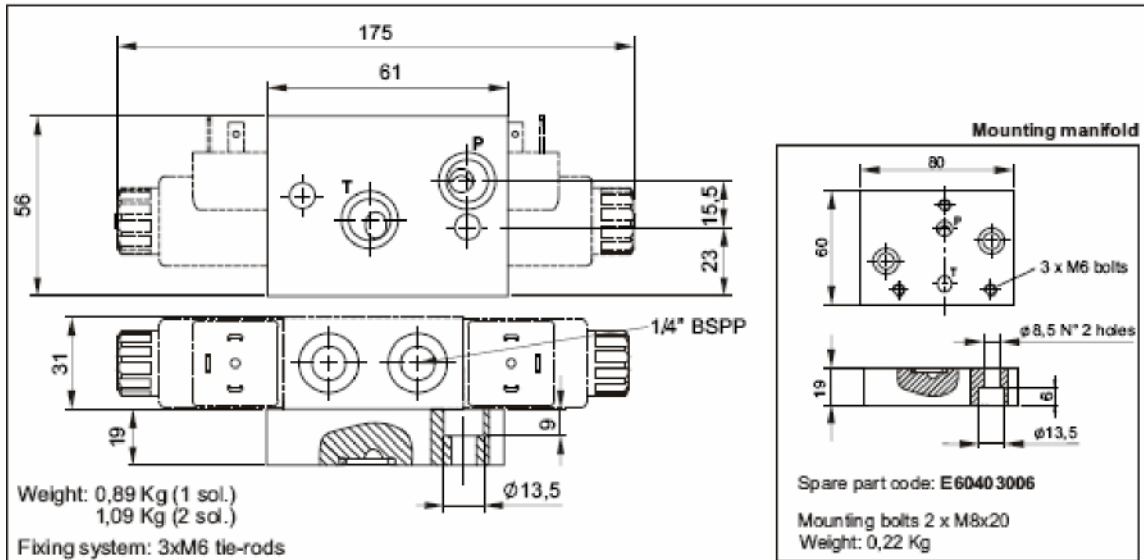


## Zwischenplattenwegeventile Cetop 03

### Stackable directional solenoid valves



**Spare part code**

- SD01** — Stackable directional solenoid valve
- A2** — Spool and scheme: see side table
- 24DC** — Supply voltage: see below table
- — Position type:  
- = intermediate  
C = top closed

<b>Code</b>	<table border="1"> <tr><td>A</td><td>B</td></tr> <tr><td>a</td><td>b</td></tr> <tr><td>P</td><td>T</td></tr> </table>	A	B	a	b	P	T
A	B						
a	b						
P	T						

**Double solenoid**

A2*	
B2	
C2	
E2	

**Single solenoid**

A11C	
------	--

\* = spools with price additional  
Other spools available on request

Supply voltage (V)	Coil voltage	Spare coil code	Spare connector code	Holding power consumption	Max pressure	250 bar
12DC	12DC	M12040001	KA132000B1	22W	Max p on T port	210 bar static, 140 bar dynamic
24DC	24DC	M12040002	KA132000B1	22W	Max flow	20 l/min
24AC/50 Hz/60 Hz	24DC	M12040002	KA132R11B1	22W	Fixing bolts	3 TCEI M6 x 6Nm torque. 10.9 class steel
230AC/50 Hz/60 Hz	220RC	M12040005	KA132R13B1	22W	Coil insulation	Class H
Other voltages and electric connectors types (Amp Junior, flying leads,...) available on request. Inrush power consumption can be up to 3,5 times higher than the holding one.					Electric connection	DIN 43650-A / ISO 4400
					Protection class	IP 65 / DIN 40050
					Duty cycle	ED 100%
					Voltage required	+/- 10% nominal voltage
					Manual override	included as standard
					Normatives	EN50081-1 / EN50082-2 (89/336 CEE electromagnetic comp.) 73/23/CEE / 96/68/CEE (low voltage)